

# MAVERICK SPOT LIGHT

TECHNICAL SHEET  
KL-SP00026

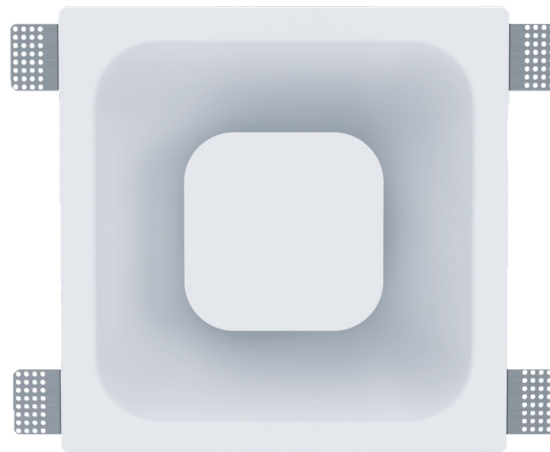
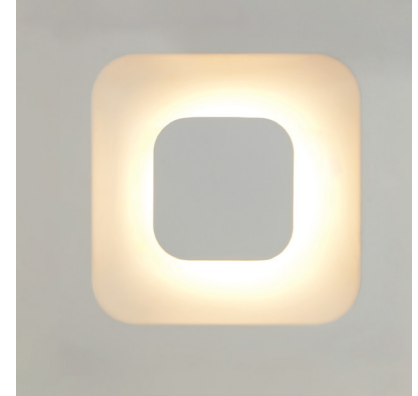
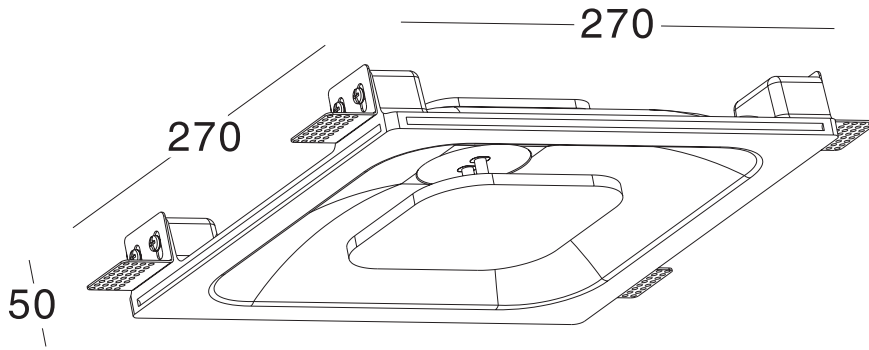


**KEYLIGHT**

SPAIN

PRODUCTOS DE ILUMINACION

## DRAWING



## SPECIFICATIONS

Product Code	KL-SP00026
Power	10W
Input	220-240V
LED Type	SMD2835
Material	Gypsum
Dimensions	270mm*270mm*50mm
Cut-out	273mm*273mm

